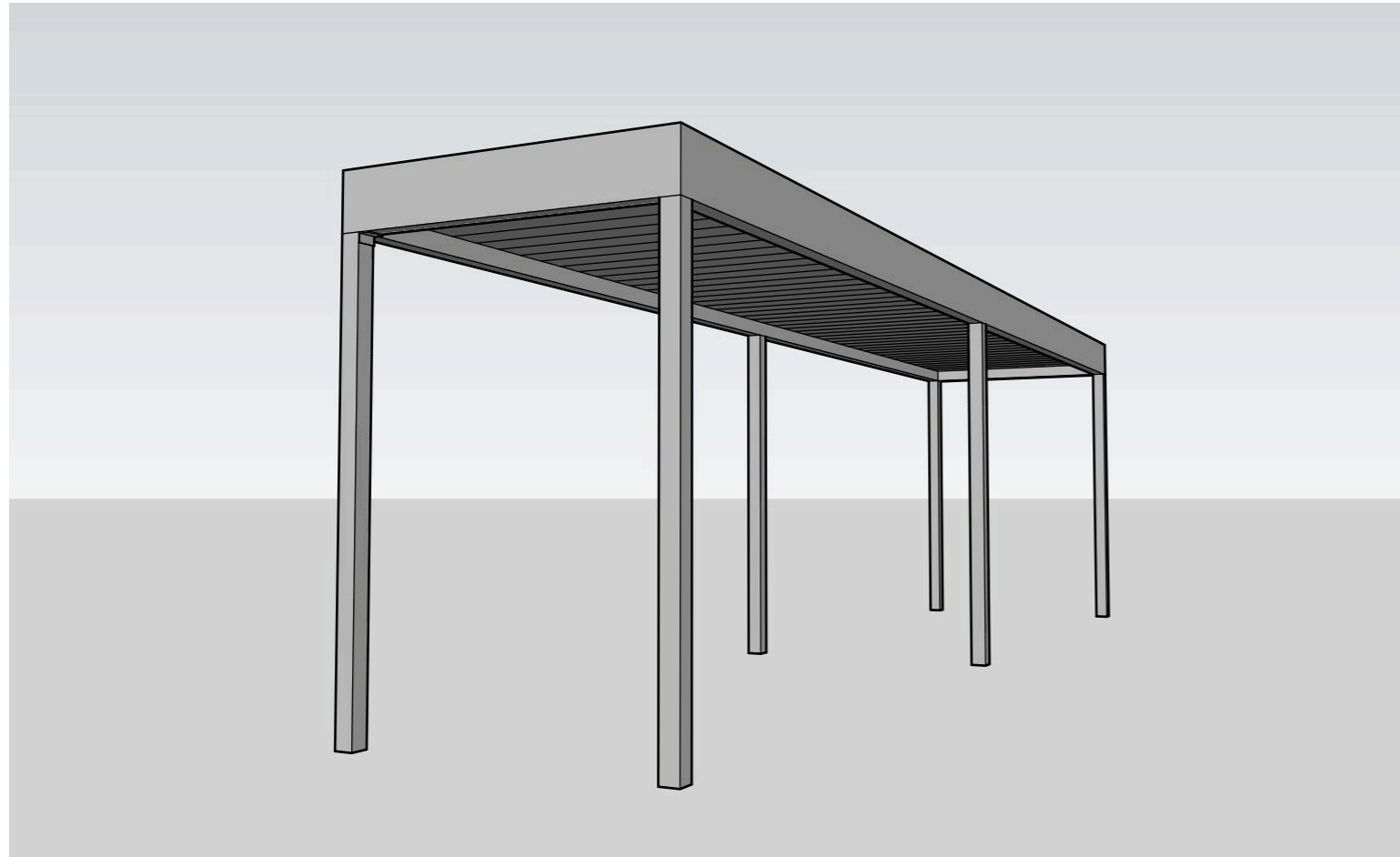
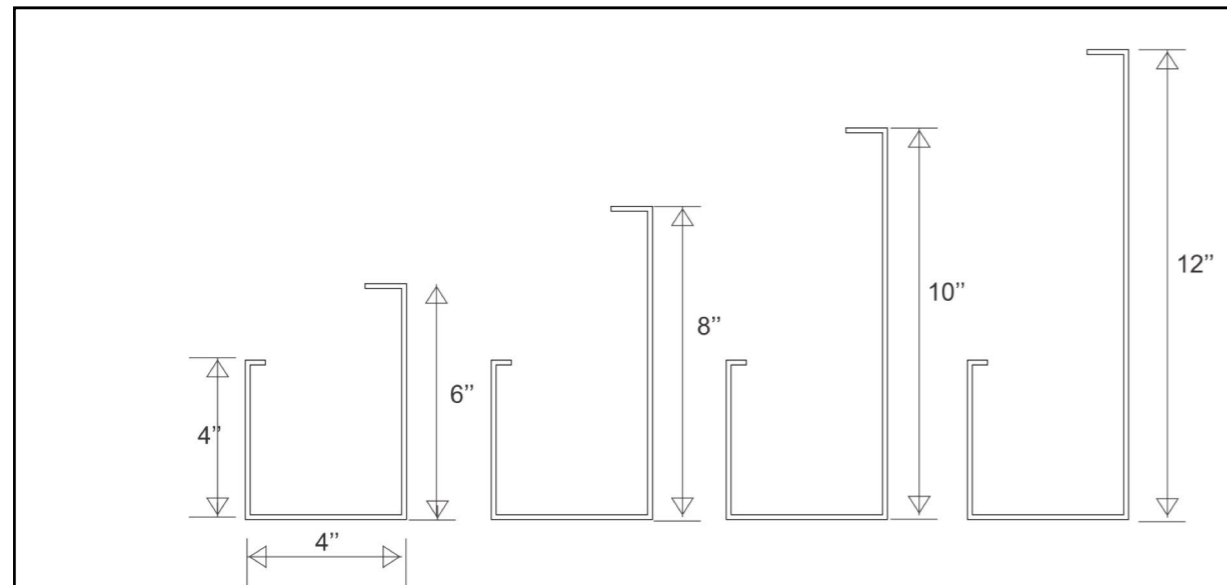
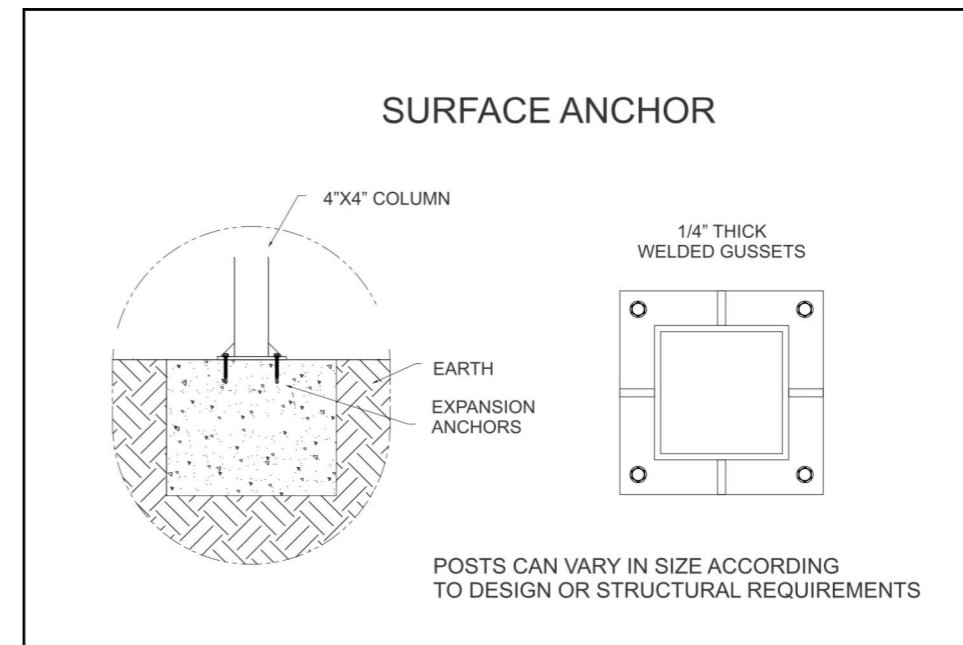


CUSTOM WALKWAY CANOPY MIDWEST CANOPY AND AWNING



NOTE: *These are typical walkway canopy drawings. All canopies need to be engineered, additional structure and changes may need to be made. Engineering is extra. Footers by others. Extra/custom downspouts will also be additional.*



NOTES CONCERNING GENERAL DIMENSIONS:

- WIDTH:**
- LIMITED TO CHOICE OF DECKING
 - WIDTH CAN INCREASE WITH ADDITIONAL STRUCTURE
- POST SPACING:**
- LIMITED TO 12'0"
 - CAN INCREASE WITH ADDITIONAL STRUCTURE
- FASCIA:**
- STANDARD FASCIA IS 6", 8", 10" AND 12" SMOOTH
 - CUSTOM FASCIA AVAILABLE ON REQUEST

STANDARD FASCIA SHOWN



Midwest Canopy
2291 Scioto Harper Drive
Columbus, Ohio
43204

614-344-5087
www.midwestcanopy.com

Walkway Canopy

DRAWINGS BY: DB
INSTALL MANAGER:
PROJECT MANAGER:

REV:
NOTE: NOT TO SCALE